

New High Definition

4 in 1 CAMERA

- ✓ AHD
- ✓ TVI
- ✓ CVI
- ✓ CVBS

Security camera is the gateway of all security events. High definition resolution today allows you to record clear, larger, better quality images for easier recognition of any crimes, attacks, vandalism, or other questionable behavior because it allows you to see exactly what happened.

HD 1080P ▶ Perfect performance image



OSD Menu ▶ Hybrid switchable (AHD/TVI/CVI/CVBS)



1080P 1920x1080 pixels 2Megapixels



conventional 720x576 pixels 0.4 megapixels



Tube Camera

3.6/6/8mm



IR 40M

2.8~12mm



IR 50M

3.6/6/8mm



IR 20M

3.6mm



IR 20M

2.8~12mm



IR 40M

5~50mm 10x zoom



IR 80M

Dome Camera

Hybrid 1080P Professional IR Outdoor camera

Model : LCIR-H1080PN



- ✓ AHD
- ✓ TVI
- ✓ CVI
- ✓ CVBS

featured with

- 1080P Full High Definition video resolution realtime
- 1/2.9" 2.1MP SONY CMOS image sensor
- AHD/CVBS/HD-TVI/HD-CVI 4-in-1 for 1080P
- Support CoC (UTC) to operate OSD menu
- 8pcs Matrix IR LEDs for IR length 40m
- Built-in 3.6/6/8mm IR corrected 2Megapixel Lens
- Built-in ICR in Full Metal Body Vandal-proof IK10, IP66
- Extremely long transmit distance 300-500m Coax Cable



Comparison of traditional CCTV image resolution of D1 vs HD vs Full HD

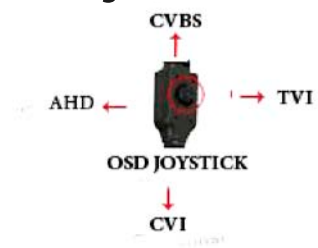
Lotus LCIR-H series is cost-effective full HD1080P surveillance cameras designed for indoor/outdoor day/night video surveillance system using infrared. Its image is 1928 (H) × 1088 (V), approx. 2.1M pixels resolution that adopts a 2.8µm unit pixel manufacturing technology to provide high sensitivity performance and high signal-to-noise ratio (SNR) to obtain clear images that enable to sufficiently discriminate subjects even in dark conditions.

It is to serve today's security purpose and meeting users budget requirement.

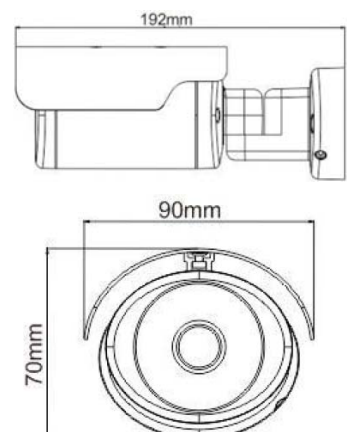
Technical Specifications

Model No.	LCIR-H1080PN
Image Sensor	1/2.9" 2.1MP SONY CMOS
Resolution	AHD/TVI/CVI: 1080P, CVBS: 1000TVL
Signal System	PAL / NTSC
Lens type	3.6mm/6mm/8mm 3MP IR corrected
Angle of View	80° / 56° / 42° horizontal
IR Light	ϕ5×36pcs
IR Range	20m±3m
Effective Pixel	PAL 1928×1088, 2.1M Pixels
Min. Illumination	Color: 0.01Lux@(F1.2,50IRE,AGC ON) B/W: 0.001Lux@(F1.2,50IRE,AGC ON)
AES	PAL:1/50~1/100,000s
S/N Ratio	50dB
White Balance	Auto White Balance/manual
NR	0-10 Adjustable
BLC Mode	BLC / HLC / WDR, 0~8 adjustable
Video Output	1.0Vp-p 75Ω, Default AHD, Shift to TVI/CVI/CVBS by OSD
Day & Night	IR Cut Filter with Auto Switch
Gain Control	0~20 Adjustable
Control	CoC (Control Over Coaxial); w/OSD cable for 4-in-1 switch
Operating Conditions	-20°C ~ 50°C
Power Supply	DC 12V
Power Consumption	Max.3W
Dimension(L×W×H)	192mm×90mm×70mm
Weight	440g

OSD navigation button



Physical dimension



specifications are subject to change without prior notice.